

EMI countermeasure for ferrite cores

◎ Product introduction 產品介紹

- This product is a round cable topical products

圓形電纜的外用產品

- Various shapes and materials variety

各種形狀和材質品種豐富

- Ferrite and rubber shell integral mounting structure, which can be directly installed on the wire material.

鐵氧體與膠殼一體化的安裝結構，可直接安裝在線材上。

- On the common mode noise suppression effect is very good

對共模噪音的抑制具有很好的效果



◎ Product application 產品應用

- Imaging equipment Personal computer, a word processor, monitor, Game machine, copier, fax machine .

個人電腦、文字處理機、監視器、遊戲機、複印機、傳真機。

◎ Product Identification 產品標識

A2 RC 16*13*8 MB

A2-----Material code 材料代碼

RC-----Shape 產品形狀【BF=方型, RC=圓柱型, FC=扁型】

16*13*8-----Product size 產品尺寸

MB-----Black plastic shell 黑色塑膠外殼【MB=黑色, MG=灰色】

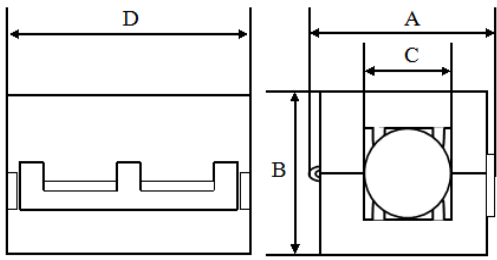
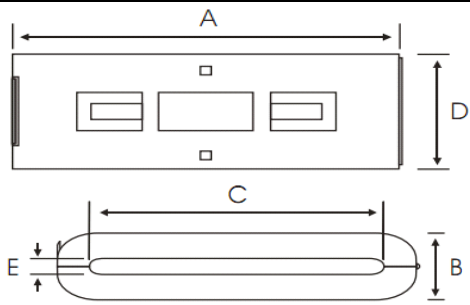
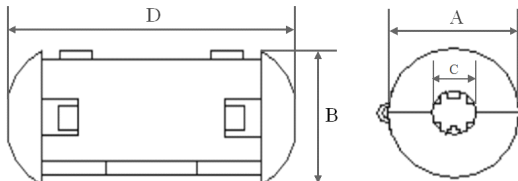
SMD Shielded Power Inductors

◎Shape&Dimensions 形狀與尺寸:

Shape	Ordering Core	A	B	C	D	E
	RC 10*20*5	13.0±1.0	11.8±1.0	5.0±0.8	25.2±1.0	
	RC 13*23*7	16.5±1.0	14.0±1.0	7.0±0.8	30.0±1.0	
	RC 16*28*8	19.50±1.0	20.00±1.0	9.5±1.0	31.0±1.0	35.0±0.5
	RC 16*28*9	19.5±1.0	18.0±1.0	9.0±0.8	35.0±1.0	
	RC 20*30*13	23.5±1.0	22.2±1.0	13.5±0.8	36.0±1.0	
	RC 12*15*7	15.5±1.0	14.0±1.0	7.0±0.8	18.0±1.0	22.0±1.0
	RC 26*30*13	31.00±1.0	30.75±1.0	13.00±0.8	34.00±1.0	39.00±1.0
	RC 17*28*11	20.5±1.0	20.5±1.0	11.0±1.0	32.0±1.0	36.0±1.0
	RC 16*13*8	19.5±1.0	23.0±1.0	8.00±0.8	17.0±1.0	23.0±1.0
	RC 16*16*8	19.50±1.0	23.00±1.0	8.00±0.8	19.50±1.0	26.00±1.0
	RC 20.5*10*10.2	24.50±1.0	28.50±1.0	10.2±1.0	13.5±1.0	20.0±0.5
	RC 24*14*11.5	28.00±1.0	32.5±1.0	12.00±1.0	17.80±1.0	24.00±1.0
	RC 25*12*15	28.5±1.0	33.5±1.0	14.5±1.0	15.5±1.0	21.5±1.0

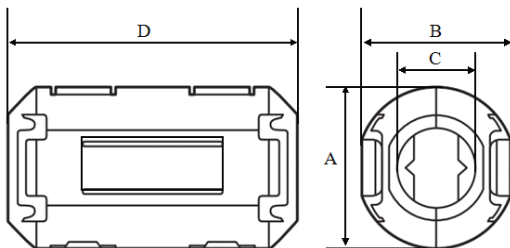
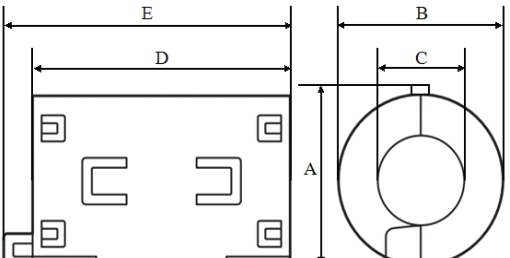
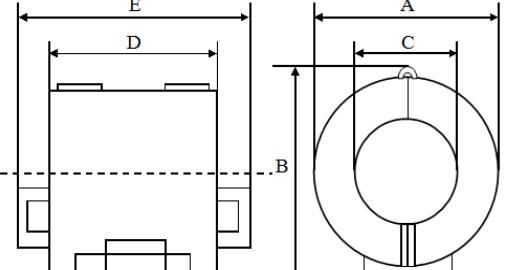
SMD Shielded Power Inductors

◎Shape&Dimensions 形狀與尺寸:

Shape	Ordering Core	A	B	C	D	E
	BF-50-B	15.00±1.0	14.00±1.0	6.00±1.0	23.00±1.0	
	BF-65-B	20.50±1.0	20.00±1.0	7.50±1.0	33.00±1.0	
	BF-80-B	20.50±1.0	20.00±1.0	7.50±1.0	33.00±1.0	
	BF-100-B	25.50±1.0	23.50±1.0	11.50±1.0	32.50±1.0	
	BF-130-B	31.50±1.0	31.00±1.0	14.00±1.0	32.50±1.0	
	FC 33.5*6.8*28*12- 1.8	36.0±1.0	9.4±0.8	28.0±1.0	14.8±1.0	2.0±0.4
	RC 14*28.5*7	20.0±1.0	20.0±1.0	8.5±1.0	39.0±1.0	

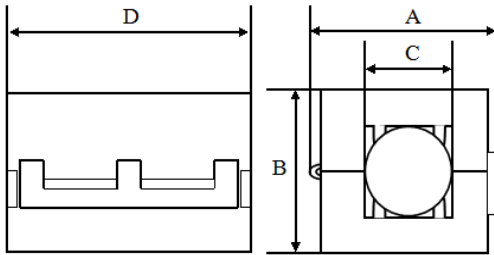
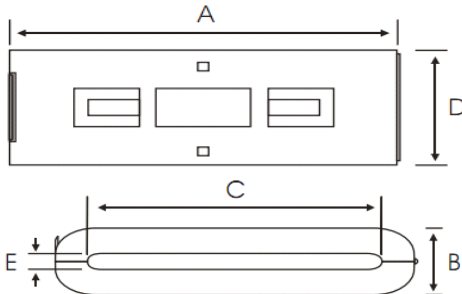
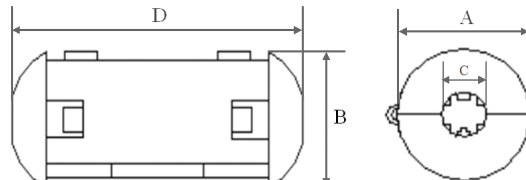
SMD Shielded Power Inductors

◎Parameters are Introduced 參數介紹:

Shape	Ordering Core	25 MHz	100 MHz
	RC 10*20*5	60Ω MIN	130Ω MIN
	RC 13*23*7	65Ω MIN	165Ω MIN
	RC 16*28*8	90Ω MIN	155Ω MIN
	RC 16*28*9	55Ω MIN	135Ω MIN
	RC 20*30*13	60Ω MIN	155Ω MIN
	RC 12*15*7	40Ω MIN	95Ω MIN
	RC 26*30*13	100Ω MIN	195Ω MIN
	RC 14*28*11	55Ω MIN	130Ω MIN
	RC 16*13*8	42Ω MIN	108Ω MIN
	RC 16*16*8	45Ω MIN	120Ω MIN
	RC 20.5*10*10.2	40Ω MIN	75Ω MIN
	RC 24*14*11.5	50Ω MIN	128Ω MIN
	RC 25*12*15	30Ω MIN	75Ω MIN

SMD Shielded Power Inductors

◎Parameters are Introduced 參數介紹:

Shape	Ordering Core	25 MHz	100 MHz
	BF-50-B	72Ω MIN	125Ω MIN
	BF-65-B	80Ω MIN	250Ω MIN
	BF-80-B	105Ω MIN	150Ω MIN
	BF-100-B	65Ω MIN	190Ω MIN
	BF-130-B	125Ω MIN	230Ω MIN
	FC 33.5*6.8*28*12-1.8	27Ω MIN	85Ω MIN
	RC 14*28.5*7	90Ω MIN	190Ω MIN